

BrikStar C **BrikStar V**

Hydraulic
briquetting presses

up to 170 kg/h output
GS certified

HÖCKER®
POLYTECHNIK

Always one idea ahead

BrikStar C. C like “Compact” Briquetting can be so simple.

The dust and chips produced are compressed by your BrikStar C briquetting press into high-quality briquettes.

The BrikStar reliably and without a hitch around the clock - of course with minimum energy input for maximum briquette output.



Produce up to 170 kg briquettes. Every hour!



Produce your heating material yourself

Wood-containing briquettes are valuable and popular energy sources. Your BrikStar C produces high-quality briquettes with optimum energy values.



Safe storage and disposal of critical dusts

Briquetting removes the risk of explosion from the dust. Many dusts can thus be deposited or returned to the recycling process.

What are the advantages of the BrikStar? You invest in quality.

Over 2,500 BrikStar briquetting presses are proving themselves worldwide in tough continuous operation. They are robust, clever operators with an economical control system and an optimum energy/output ratio.

With the BrikStar C, you can process materials such as wood, paper, tissue, plastics, straw, etc. and much more into quality briquettes.

Properties:

Reduce volume

Reduces the volume of the material ratio 1:10 (max.)

All inclusive standard equipment

Operating hours and briquette counter, press pressure display, temperature monitoring, automatic briquette length control and much more

Simple operation via touch panel

Access to all information and settings with a few finger movements

Long lifecycle

Designed in an extremely compact and robust frame construction

Plug 'n Press

Your BrikStar is delivered ready to plug in

Up to 170 kg/h throughput capacity

Entry from BrikStar C3 (max. 50 kg/h) up to BrikStar C11 (max. 170 kg/h)

Large briquette diameter 65mm

Enables optimum conveying, storage and thermal utilisation of the briquettes

Automatic briquette length control

Ensures consistently high briquette quality and length even with changing material types

Automatic operation

A rotating paddle detector monitors the automatic start/stop function and reduces operating hours and energy consumption.

Equipped for continuous operation

The BrikStar C7 and C11 presses are equipped as standard with oil coolers for 24h operation

Reliable feeding

The generously dimensioned screw trough and the stable dosing screw ensure continuous material feed

Light and rough material

The clever design allows the processing of many organic materials

Maintenance-friendly

Easy access to the machine from all four sides

Practical and safe

Inspection door with safety shut-off as shutdown for safe operation

Silent hydraulics

Anti-vibration-damper reduce the operating sound

Main press cylinder with extra power

Excellent briquette quality even with less easily briquettable materials

Functional reliability

Vertical corner plate linings prevent bridging in the container

Test the Brikstar C.

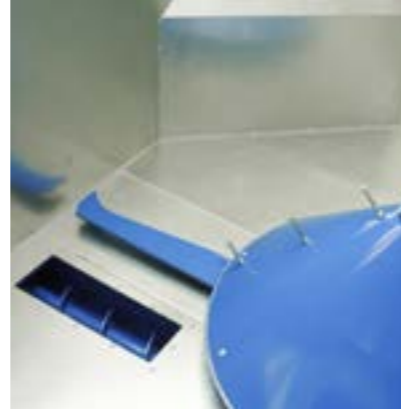
We want you to know for sure that it will work. Test the BrikStar!

- Send us a sample of your material
- We're doing a test pressing.
- You receive your briquette and an analysis report
- The decision is yours

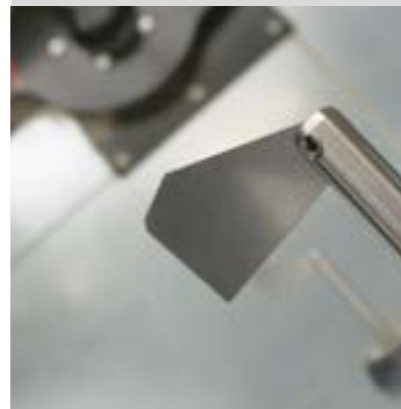




BrikStar C5-14 with a briquetting performance of 80 - 100 kg/h



The robust agitator with spring-loaded arm reliably feeds the material to the dosing screw.



Two rotating paddle detectors in the chip container. Start detector (bottom) and stop detector (top).



Level indicator for hydraulic oil filling.

Wood briquettes are high-quality biofuels with an energy content of up to 5.5 kW/h per kg and a neutral CO₂ balance.

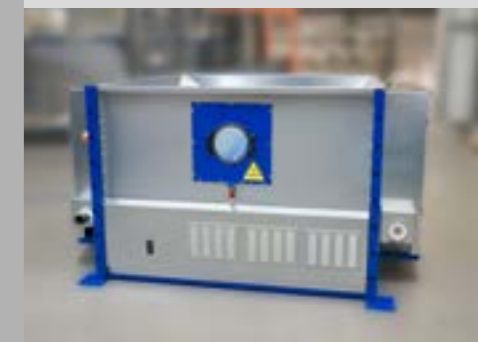


The BrikStar C as a team player. Pure joy of combination.

The application possibilities of the BrikStar C are almost unlimited, but one of the most elegant variants of supplying a BrikStar C with chips is the direct connection to the dust extractor or the filter system. With the MultiStar filter systems, they are an integral part of the system and with the Vacumobil dust collectors, the BrikStar is also ideal for high chip volumes.



MultiStar filter with the BrikStar C briquetting press in a functional weather housing and with silo transport pipe.



The special solution for high material throughput. BrikStar Twin C 18-18 with two feeding screws, two briquetting presses and a joint electro-hydraulic drive.

Storage of paper dust simple and safe. The BrikStar C in a print shop combined with a MultiStar filter.



A MultiStar filter system with a BrikStar C briquetting press at a manufacturer of corrugated board packaging.

Sensitive dusts can be safely stored in briquette form.

Simple operating via touch panel.



BrikStar C.

Technical data and options

BrikStar C briquetting presses come standard with many practical and useful features.

Special applications can be easily implemented using special options.



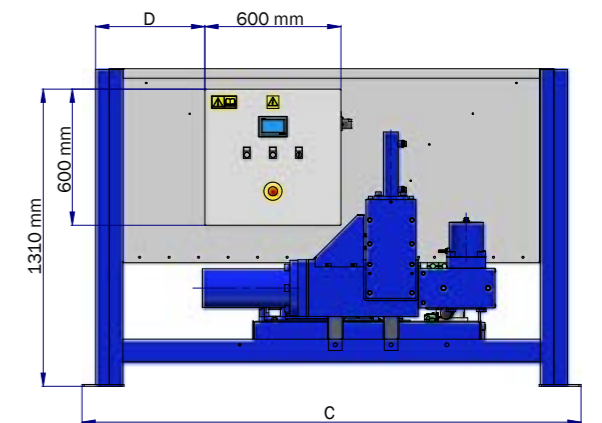
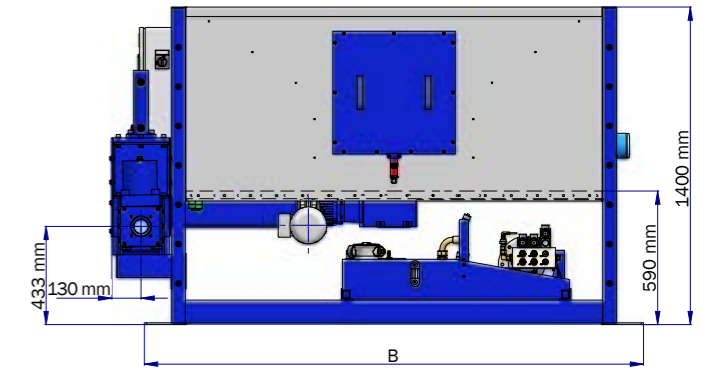
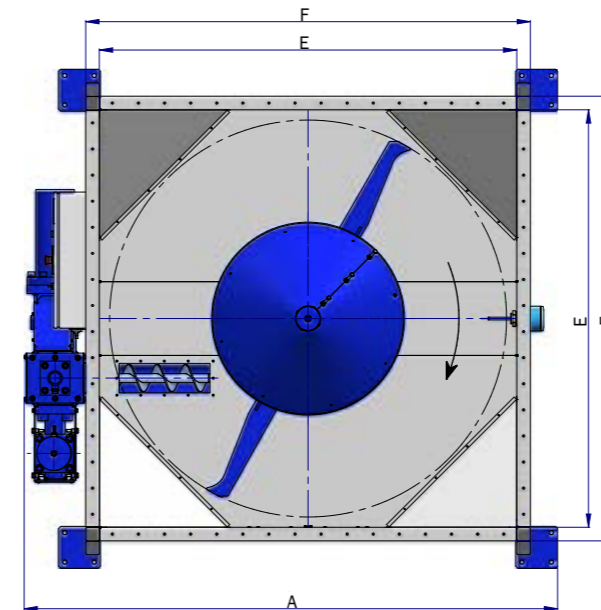
BrikStar	C3	C4	C5	C7	C11
Power					
Briquetting performance max. (depending on material)	50 kg/h	70 kg/h	100 kg/h	130 kg/h	170 kg/h
Motor hydraulic* (kW)	3.00 kW	4.00 kW	5.50 kW	7.50 kW	11.0 kW
Motor screw* (kW)	0.75 kW	0.75 kW	0.75 kW	1.10 kW	1.10 kW
Material handling					
Agitator with spring arm	●	●	●	●	●
Pressing direction, left (more space required)	○	○	○	○	○
Inspection door with safety shut-down	●	●	●	●	●
Rotating paddle detector (automatic start/stop)	●	●	●	●	●
Additional rotating paddle detector (full detector)	○	○	○	○	○
Water-cooled press clamp (continuous operation)	○	○	○	○	○
Briquette diameter 65 mm	●	●	●	●	●
Briquette diameter 55 mm	○	○	○	○	○
Control and visualisation					
Compact control cabinet	●	●	●	●	●
SPS with visualisation	●	●	●	●	●
4,3" touch panel	●	●	●	●	●
Operating hours counter	●	●	●	●	●
Briquette counter (temp/total)	●	●	●	●	●
Briquette length adjustment (with automatic)	●	●	●	●	●
Oil temperature gauge	●	●	●	●	●
Hydraulic pressure indicator	●	●	●	●	●
Temperature monitoring	●	●	●	●	●
Special voltages and frequencies	○	○	○	○	○
Intranet connection	○	○	○	○	○
Connection tapio Cloud	○	○	○	○	○
Climate equipment					
Weather protection housing	○	○	○	○	○
Oil cooling (for continuous operation without operating pauses)	○	○	○	●	●
Oil heating (frost-proof operation)	○	○	○	○	○
Arctic oil (frost-proof operation)	○	○	○	○	○
Control cabinet heating	○	○	○	○	○
Control cabinet climatisation	○	○	○	○	○
Productivity					
Solid connection flange for transport line	●	●	●	●	●
Briquette cooling line	○	○	○	○	○
Silo transport line	○	○	○	○	○
Bagging carousel, manual	○	○	○	○	○
Bagging carousel, automatic	○	○	○	○	○

● = Standard equipment, ○ = Option

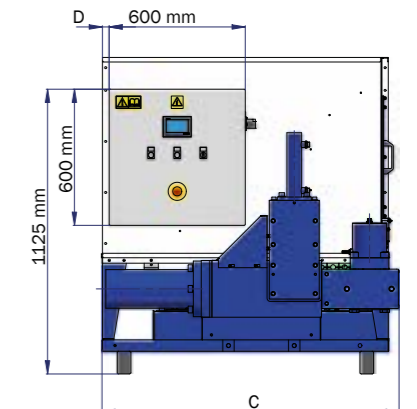
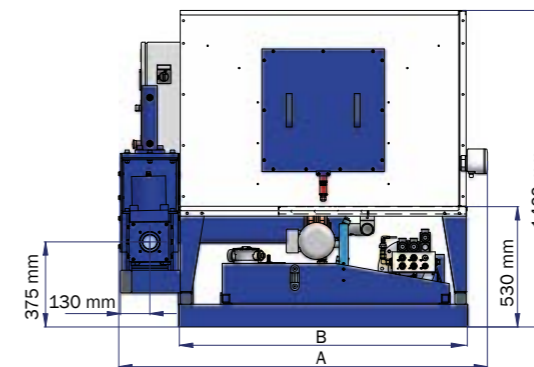
* all motors 3-phase current 400 V, 50 Hz.
Special voltages/frequencies on request (surcharge option)
** depending on container size

Data and Measurements

BrikStar Cx-14 - Cx-23 model



Cx-12 model



Typ	Weight** (kg)			
	-12	-14	-18	-23
BrikStar C3	780	950	1,040	1,240
BrikStar C4	790	960	1,050	1,250
BrikStar C5	-	1,030	1,100	1,320
BrikStar C7	-	1,330	1,420	1,630
BrikStar C11	-	1,400	1,490	1,700

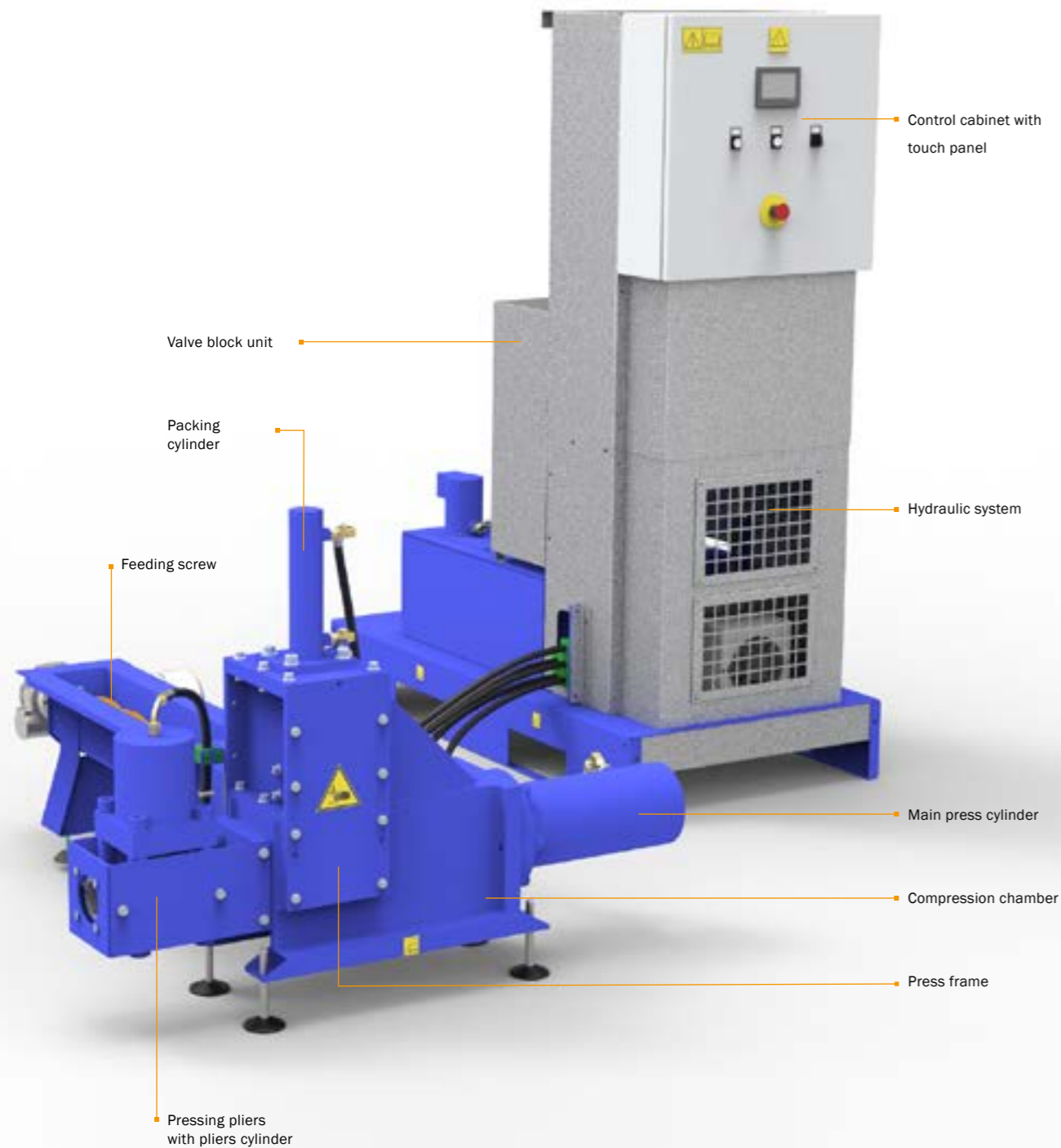
Typ	A (mm)	B (mm)	C (mm)	D (mm)	E (mm)	F (mm)	Container volume (brutto)	Drive motor agitator* (kW)
BrikStar C3/C4-12	1,625	1,275	1,305	30	1,200	1,260	ca. 1.0 m ³	0.37
BrikStar Cx-14	1,830	1,630	1,630	175	1,380	1,500	ca. 1.3 m ³	0.37
BrikStar Cx-18	2,350	2,200	2,200	480	1,840	1,960	ca. 2.0 m ³	0.37
BrikStar Cx-23	2,810	2,660	2,660	715	2,300	2,420	ca. 3.2 m ³	1.10

Container variants and measurements

BrikStar V. V like „ Variable“ „No space“ is not an excuse anymore.

With the BrikStar V briquetting press, you benefit from unimagined freedom when setting up your press.

The hydraulic unit, the feeding screw, the press frame and the control cabinet are separate units in the BrikStar V. You can, for example, collect the chips outside in a MultiStar filter system, lead the transport screw through the wall and then let the BrikStar V do its job in an adjoining room - independently of the weather. It couldn't be more variable.



With the BrikStar V you can realize your individual briquetting solution.

The BrikStar V briquetting press can be easily integrated into your existing infrastructure. The Höcker project specialists implement your individual briquetting tailor-made.

Combine several BrikStar V briquetting presses with one feed container and process material quantities of up to 700 kg/h.



Briquette storage in Bigbag double container with frame and change over device. Switching possible according to preset briquette quantity.



A BrikStar V model in a combination insert with a moving floor container and a MultiStar filter system. The arrangement in a weather protection cabin allows comfortable access. With water pliers cooling for continuous operation.



The four BrikStar V 11 briquetting presses produce 700 kg/h of briquettes in highest briquette quality.

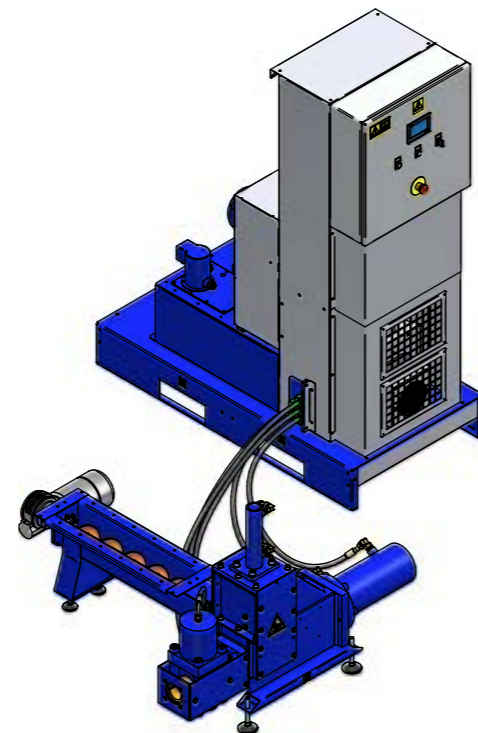
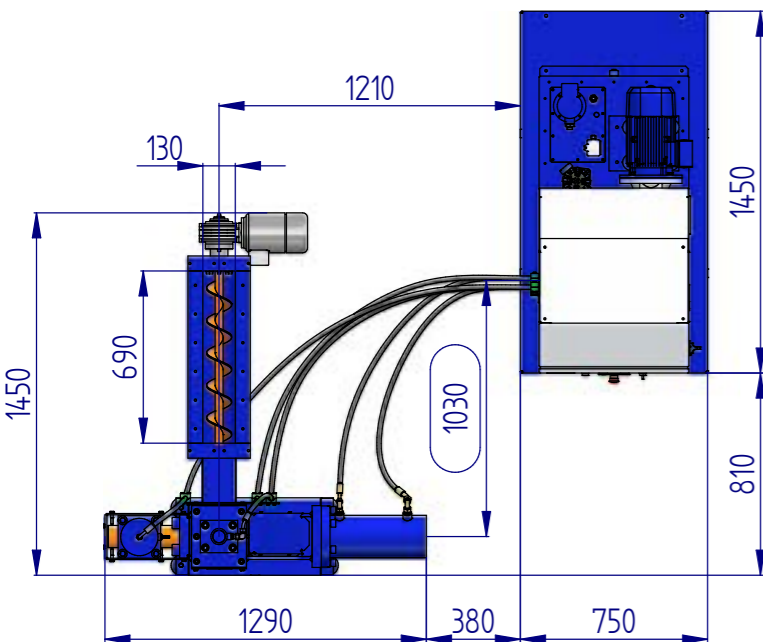
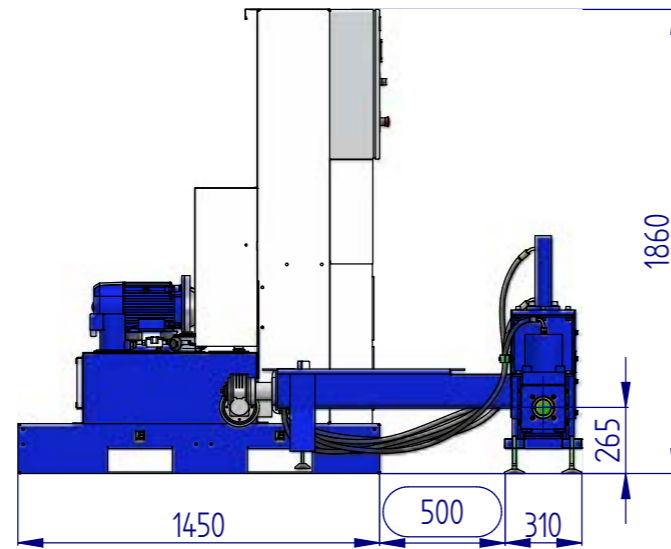
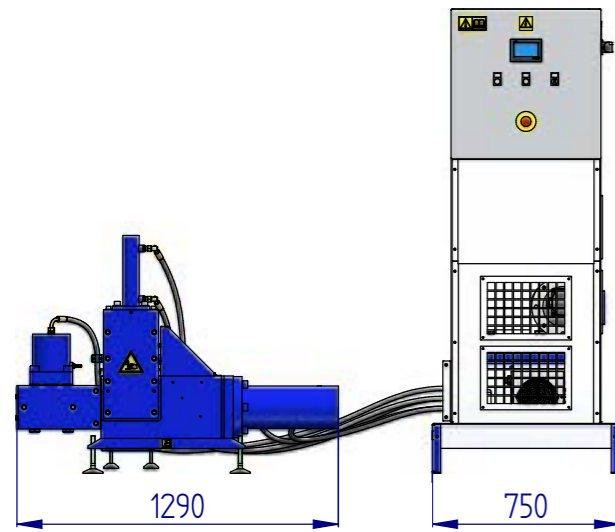


Maximum briquette output with four BrikStar V 11 presses as quattro solution.

BrikStar V Quattro system with 4 x 11 kW presses on push-floor loading containers (2 x left, 2 x right) including water pliers cooling for continuous operation. Container feeding via cyclone with ring line and pneumatic transport system.

Data and Measurements

BrikStar Vx model



Variants and measurements

Typ	Briquetting performance (depending on material)	Hydraulic motor (kW)	Floor space		Overall height Press (m)	Ø Briquettes (mm)
			Press (m)	Hydraulic (m)		
BrikStar V3	max. 50 kg/h	3.00	2.00 x 0.35	0.62 x 1.30	0.80	65
BrikStar V4	max. 70 kg/h	4.00	2.00 x 0.35	0.62 x 1.30	0.80	65
BrikStar V5	max. 100 kg/h	5.50	2.00 x 0.35	0.62 x 1.30	0.80	65
BrikStar V7	max. 130 kg/h	7.50	2.00 x 0.35	0.62 x 1.30	0.80	65
BrikStar V11	max. 170 kg/h	11.00	2.00 x 0.35	0.62 x 1.30	0.80	65

Options for BrikStar C and BrikStar V



The cooling section improves the briquette quality for difficult/demanding material.



With oil cooling, your BrikStar C or V is perfectly equipped for 24/7 operation. (with BrikStar C/V 7 and 11 standard equipment).



Water pliers cooling for continuous operation (recommended from BrikStar C/V 7 and 11).



Inspection door with viewing window.



Weather protection housing for cooling lines.



Briquette diameter 55 mm (instead of 65 mm) for difficult to briquette materials such as MDF.

With every turn. With every bag. Efficient!

Bagging carousels for automatic or manual operation

Bagging carousel AK 6/10-HW/HZ (for automatic briquette filling)

There is no easier way to pack briquettes. Your bagging carousel is completely assembled and delivered ready for connection. The carousel stands stably and securely on three feet, each is equipped with a weight sensor. The six or ten plastic bags for the briquette bagging can be easily attached and quickly removed. The holder height can be adjusted to the bag sizes and the waste bags can be fastened and released quickly and easily by means of clamps. The bagging carousel reduces your work effort in briquette production to a minimum - remove full bags, clamp empty bags and continue production.



Advantages

- space-saving design
- 6er or 10er variant selectable
- compatible with standard bags
- low energy consumption
- precise, automatic weighing device
- simplified briquette handling reduces personnel costs

Also available:

- Bagging carousel AK 6-HW/AK 10-HW (with weighing device)
- Bagging carousel AK 6-HE/AK 10-HE (without weighing device)
- Bagging carousel AK 6-HM (manual variant)



HÖCKER POLYTECHNIK GmbH
Borgloher Straße 1
49176 Hilter a.T.W.
Germany

phone +49 5409 405 0
email info@hpt.net



www.hoecker-polytechnik.com

HÖCKER[®]
POLYTECHNIK

Always one idea ahead