



## Vacumobil 140/160

Dust extractor

2,2 kW (IE3)

GS/H3 certified

**HÖCKER<sup>®</sup>**  
**POLYTECHNIK**

*Always one idea ahead*

# Vacumobil 140/160

## Enhanced performance, reduced consumption.

## Certified safety.

The innovative Vacumobil 140/160 mobile dedusters by HÖCKER POLYTECHNIK set entirely new standards in extraction for wood processing machines and air filtration. They feature numerous improvements in regards to energy efficiency, equipment size, performance characteristics and application flexibility.

Higher throughput is achieved by a housing interior optimised for airflow. Standard energy-saving drives (IE3) reduce electricity consumption. Our Vacumobiles ensure an extremely environmentally friendly and energy-saving operation. Naturally, all models are tested by the Employer's Liability Insurance Association (BG) according to GS-H0 07 and only use BG-certified filter materials and bear the H3/GS certificate.

### Vacumobil VT 140/160

- For installation in the shop, also for explosion-prone dust-air mixtures and intermittent processes during breaks, the system gently cleans the filters by means of vibration without the use of compressed air
- Deposition of dust and chippings in stable bin interleaved foil bag

Illustration bottom:  
Vacumobil VT 140/160 with  
2.2 kW energy-saving motor (IE3)



Illustration bottom:  
The suction connection with 140 mm in diameter can be removed and a 160 mm tube or suction pipe can be connected.



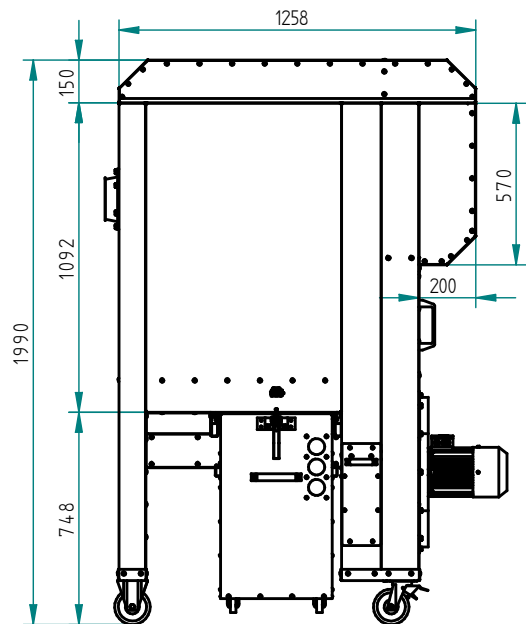
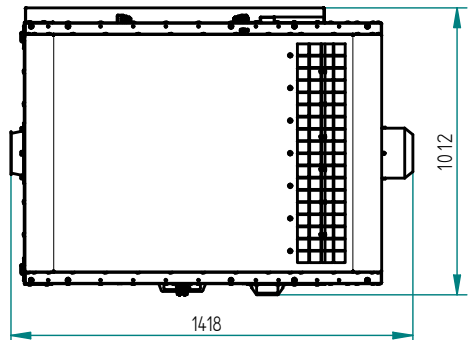
### Safety with a capital S

The Vacumobil can be installed in the shop without additional fire protection measures. It is supplied ready to connect with a phase changing plug. The standard contactor control ensures automatic start-up and safe operation. Inputs for automatic start-up using potential-free contacts are included as standard equipment.



### Advantages

- Installation in the work area is allowable (depending on the type of dust)
- Low residual dust content < 0.1 mg/m<sup>3</sup> (H3) according to the Technical Guideline for the Handling of Hazardous Materials (TRGS) 553
- 100% utilisation of heat energy through air recirculation
- Large collection volume with 1 mobile collecting bin
- Low height, less than 2 m (height, middle of intake port: 1.5 m)
- Controller, standard with automatic start-up (potential free contact)
- No pressure relief required for St1 dust
- Filter material tested by the Employer's Liability Insurance Association (BG) (99.95% separation)
- Low energy consumption and high extraction performance
- Drive Efficiency Class IE3
- Automatic filter cleaning



	Vacumobil VT 140/160
Suction connection diameter	140 mm (160 mm when removing connecting piece)
Engine-rating	2.2 kW / 400 V / 50 Hz (IE3)
Filter area	ca. 7 m <sup>2</sup>
Nom. Volume Flow (V Nom)	1.100 m <sup>3</sup> /h with 140 mm suction opening
Max. Volume Flow (V Max)	1.950 m <sup>3</sup> /h with 160 mm suction opening
Vacuum generated V Nom**	ca. 2.800 Pa
Vacuum generated V Max**	ca. 1.500 Pa
Collection Volume	ca. 175 litre
Maximum sound pressure level*	< 73 dB(A)
Measurements (L x W x H)	1.418 x 1.012 x 1.990 mm
Weight	ca. 350 kg
Dedusting	Vibration
Slide valve gear	standard (potential-free contact)

\* Measured according to the EU Machinery Directive subject to free field conditions with 1m distance of 1.6m height  
 \*\* In delivery status – non-impinged filter hoses



**HÖCKER POLYTECHNIK GmbH**  
**Borgloher Straße 1**  
**49176 Hilter a.T.W.**  
**Germany**

fon +49 5409 405 0  
mail [info@hpt.net](mailto:info@hpt.net)



[www.hoecker-polytechnik.com](http://www.hoecker-polytechnik.com)

**HÖCKER<sup>®</sup>**  
**POLYTECHNIK**

**Always one idea ahead**