



## MultiStar C

Hybrid filter systems

Easy to install

Energy efficient

Tested explosion resistance

**HÖCKER®**  
**POLYTECHNIK**

*Always one idea ahead*

# MultiStar C

## The hybrid filter system

The newly developed MultiStar C hybrid filter combines the practical, easy handling of a **Vacumobil deduster** with the power of the outstanding **MultiStar filter series**.



Fig.: MultiStar C 6/4 (large) with combined briquetting press

### Compact and powerful

- delivery in three pre-assembled modules
- for air volumes from 12.000 m<sup>3</sup>/h to 30.000 m<sup>3</sup>/h
- low residual dust content <0.1 mg/m<sup>3</sup> (H3) according to the Technical Regulation for Hazardous Substances 553
- Tested explosion resistance

**Vacumobil dedusters and MultiStar filter systems are in use thousands of times worldwide.**

**With the MultiStar C hybrid filter we close the gap between dedusters and filter systems. Simple and efficient.**

**With the MultiStar C, we are proud to welcome a new member into the Höcker family of filters.**

# Our design specification - maximum customer benefit

In the redesign of the hybrid MultiStar C filter, we have incorporated all our experience from 55 years of practical implementation with our customers. The result is an outstanding solution.

The MultiStar C filter is delivered easy to install in three pre-assembled modules (crane installation)

## Roof module

Exhaust air flange for return air duct as standard

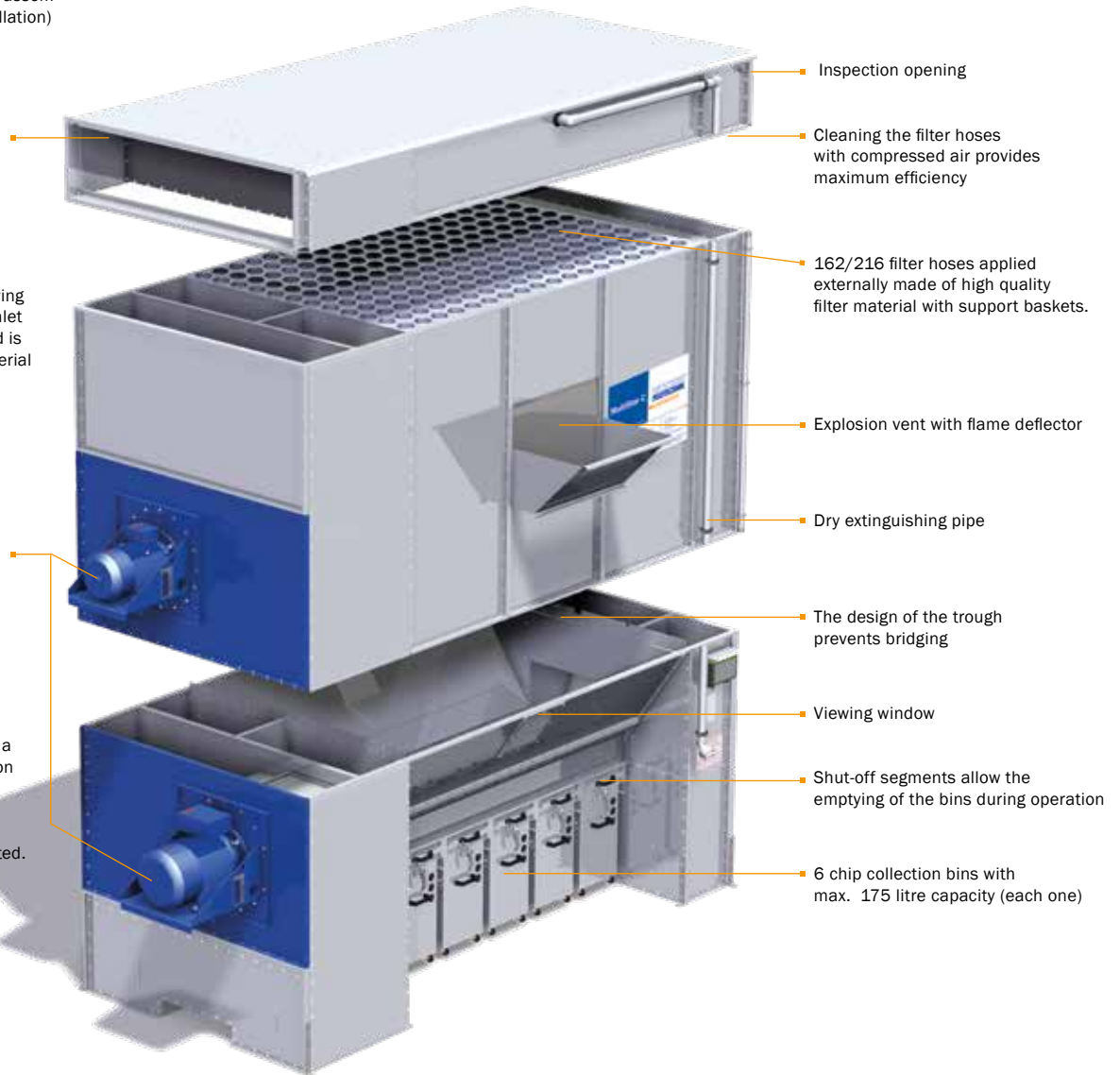
## Filter module

By means of the dual blowing in of the dirty air via two inlet modules, the upflow speed is reduced and the filter material is protected

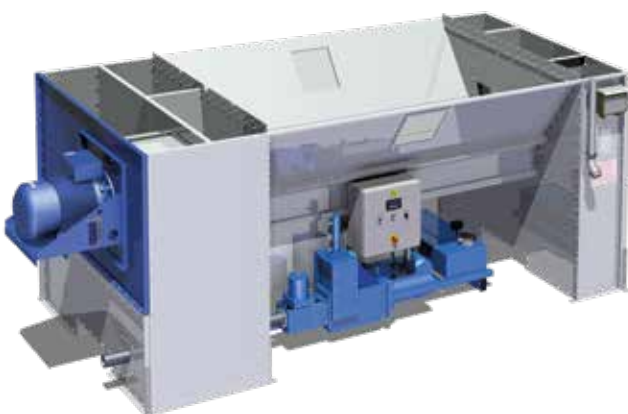
One or two fans deliver maximum performance with minimum energy input (IE3)

## Discharge module

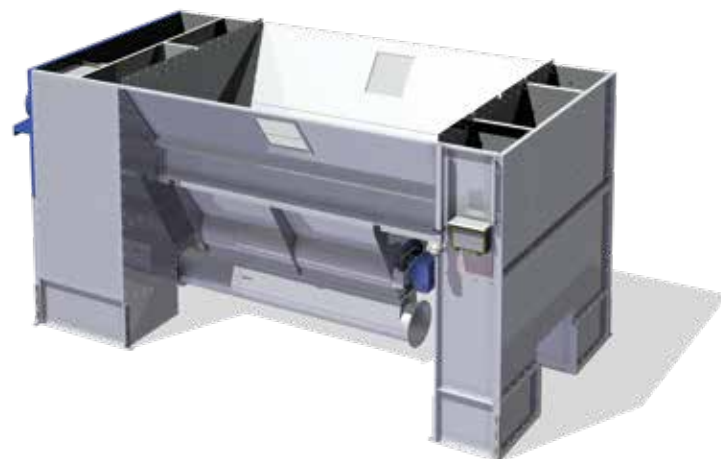
The housing of the filter is a self-supporting construction made of galvanised steel sheets. The high demands for negative pressure operation are fully supported.



Optional discharge module  
**Briquetting press**



Optional discharge module  
**Rotary airlock**



# Keep it simple! Quick and easy to install on your own.

## Ready for use in a few hours!

Delivery in three pre-assembled modules. For safe installation you need a floor slab and a crane. The assembly is no problem for technicians and electricians.



Place roof module on filter module and screw together



The crane in action



Place the two upper modules on the discharge module



Assemble extinguishing pipe, flame deflector, cleaning control and connect motors. All done.

# MultiStar C The easy way to your filter system

## Hybrid. The best from the world of filter systems and dedusters

We have greatly simplified the entry into the stationary filter world and combined the simplicity of a deduster with the power of a filter system. There are six filter housing versions of the MultiStar C, each with three discharge options. These give you 18 ways to implement your ideas.

## Excellent value for money

With the MultiStar C filter series we cater common to application fields of up to 30,000 m<sup>3</sup> volume flow. We have not compromised quality with this newly developed filter and have created a clear price advantage for our customers by means of the modular system.

## Compact and quickly assembled! Space for it even in the smallest corner

The MultiStar C requires just over 10 m<sup>2</sup> of floor space and a foundation. It is delivered in three modules and can be assembled and put into operation with the use of a crane within a few hours. Your MultiStar C can be easily designed and installed quickly.

## The flexible all-rounder. Perfect for many sectors and materials

MultiStar filter systems support our customers in wood and plastics processing as well as in the printing, recycling, folding boxes and corrugated cardboard industries. Your material can also be handled by the MultiStar C.\*

## Certainly! Officially pressure surge tested

Our MultiStar C filter has masterfully passed the pressure surge test from "Dekra-Exam".

## Energy efficient motors / fans

The energy efficient motors (IE3) and fans have been specially developed for the MultiStar C and deliver optimum performance with minimum energy input.

## On request with smart home features

Use the Höcker control technology (option) and integrate your MultiStar C into the existing intranet. Check consumption histories and operating status comfortably from your sofa.

\* For high chip occurrence we recommend the special solutions of the proven MultiStar series

# Compressed air impulse cleaning of the filter hoses



## Characteristics:

- continuous cleaning of filter hoses without interrupting production
- low compressed air consumption
- suitable for almost all materials and types of dust
- constant high extraction performance due to low filter contamination
- cleaning can be carried out time dependent or differential pressure dependent
- very long service life and useful life of the filter hoses

With jet or compressed air impulse cleaning, a nozzle is positioned above each filter hose. A short burst of compressed air inflates the filter hoses briefly and the caking on the filter is blown off. The regeneration of the filter material is carried out periodically or differential pressure dependent.

# The dust and chips discharge



## Dust collection bins

Simply collect the dust in dust/chip bins. The MultiStar C has six bins with a capacity of 1,050 litres.

Each bin unit has a shut-off segment which allows for the emptying of the chip collection bags during operation. A system shutdown is not necessary.



## Briquetting press

The MultiStar C with integrated briquetting press processes the material directly into briquettes. They are the ideal solution for applications with low or medium material volumes.

In briquettes, sensitive types of dust can be easily stored and disposed of dust-free. High quality heating material is produced from wood chips.



## Rotary airlock

MultiStar C with airlock filters are perfect for transporting material to other transport systems such as silo and containers.

All rotary airlocks are tested and certified for flame resistance.

# Technical data and options

We make it easier for you to decide on the MultiStar C. Choose from six filter housing versions with three discharge methods, equip one or two fan positions and configure your preference options. All done!

If you need more power, special equipment, further discharge methods - with the big brothers of the MultiStar filter series you will get everything you want.

MultiStar C series		6/3 small	6/3 medium	6/3 large	6/4 small	6/4 medium	6/4 large
<b>Fans module</b>							
Motor 1 (below)	11.0 kW (IE3) / volume flow 6,000 m <sup>3</sup> /h *	○	○	○	○	○	○
	18.5 kW (IE3) / volume flow 12,000 m <sup>3</sup> /h *	○	○	○	○	○	○
	30.0 kW (IE3) / volume flow 18,000 m <sup>3</sup> /h *	—	○	○	—	○	○
Motor 2 (above)	11.0 kW (IE3) / volume flow 6,000 m <sup>3</sup> /h *	○	○	○	○	○	○
	18.5 kW (IE3) / volume flow 12,000 m <sup>3</sup> /h *	—	—	○	—	—	○
Total pressure increase (real), max. *		3,600 Pa	3,600 Pa	3,600 Pa	3,600 Pa	3,600 Pa	3,600 Pa
<b>Dimensions</b>							
L (length) (including fan(s))		5,255 mm	5,55 mm	5,255 mm	5,255 mm	5,255 mm	5,255 mm
W (width)		1,460 mm	1,460 mm	1,460 mm	1,920 mm	1,920 mm	1,920 mm
H (height) (with bins unit)		3,370 mm	3,830 mm	4,290 mm	3,370 mm	3,830 mm	4,290 mm
<b>Filter</b>							
Compressed air impulse cleaning		●	●	●	●	●	●
Filter hose length (Ø 110 mm)		1,100 mm	1,560 mm	2,020 mm	1,100 mm	1,560 mm	2,020 mm
Filter area		62 m <sup>2</sup>	87 m <sup>2</sup>	113 m <sup>2</sup>	82 m <sup>2</sup>	116 m <sup>2</sup>	151 m <sup>2</sup>
<b>Discharge</b>							
Dust/chip collection bins, 6 pcs (Σ 1,050 l)		●	●	●	●	●	●
Briquetting press (container size 1,500 mm x 900 mm)		○	○	○	○	○	○
Rotary valve (L = 1,840 mm)		○	○	○	○	○	○
<b>Control</b>							
Control of compressed air impulse cleaning		●	●	●	●	●	●
Control cabinet with PLC and touch panel		○	○	○	○	○	○
Frequency inverter		○	○	○	○	○	○
Web analysis package (consumption monitoring)		○	○	○	○	○	○
Intranet connection		○	○	○	○	○	○
Tapio cloud connection		○	○	○	○	○	○
<b>More options</b>							
Dry extinguishing pipe		●	●	●	●	●	●
Exhaust air flange		●	●	●	●	●	●
Noise reduction package		○	○	○	○	○	○
Residual dust monitoring		○	○	○	○	○	○

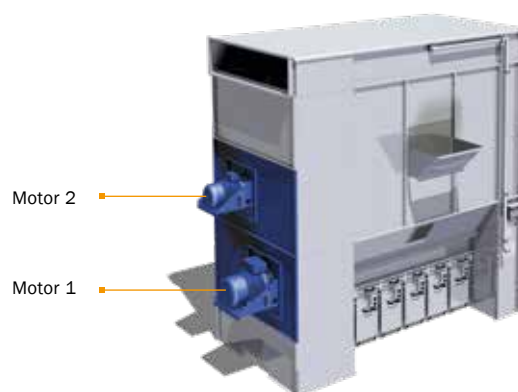
● = standard equipment, ○ = option, — = not available

\* depending on the system curve and the resulting operating point on the fan characteristic curve when new

## Increase productivity. Optimize waste management

Even the best filter systems depend on optimum peripheral devices. We know that and our experienced project consultants will be pleased to help you integrate your MultiStar C filter perfectly into your production.

You will be surprised what possibilities this compact hybrid filter can offer you. Talk to us! We work hard to support you with all our experience.





# MultiStar C

## Tested and certified

Explosion test with 220 mbar

### Tested explosion resistance

Test passed. The renowned specialist institute for explosive tests „Dekra-Exam“ certified the pressure surge resistance of our MultiStar C in 2018. All relevant laws and standards (ATEX, DIN EN 12779 industrial safety regulation, VDI guidelines, trade association regulations and rules) can be easily and safely met.

And that is not all: The bursting discs and inspection doors are also Dekra-Exam and FSA approved.

## Safe and certified!



### Quality management system

We have full control over all the processes within our company and continuously strive to perfect them. We have been operating in compliance with ISO 9001 guidelines since 2011.

### Quality assurance

The quality of our products is regularly reviewed and optimised.

### Energy management

Our energy management system was certified to the ISO 50001 standard in 2016. Our customers are of course also able to reap the benefit generated from our sophisticated control solutions.

### DGUV tested products

Our dedusters and filters are continuously DGUV tested and can be easily integrated into operational areas (residual dust content of <math><0.1 \text{ mg/m}^3</math>).

### GS tested safety mark

Our products must be safe for the user to handle, which is why many Höcker products are GS tested.

### Explosion protected products

The pressure shock resistance of our MultiStar filter systems, Vacuumobile de-dusters and rotary valves has been officially tested and validated.

### EW90 – proven fire safety

Our MultiStar filter systems, rotary valves and swing check valves have been successfully fire safety tested.



HÖCKER POLYTECHNIK GmbH  
Borgloher Straße 1  
49176 Hilter a.T.W.  
Germany

phone +49 5409 405 0  
email [info@hpt.net](mailto:info@hpt.net)



[www.hoecker-polytechnik.com](http://www.hoecker-polytechnik.com)

**HÖCKER<sup>®</sup>**  
**POLYTECHNIK**

**Always one idea ahead**